

Product Name:	2D Cryogenic Vials
Product Application:	<p>Ideal for cryopreservation of cells and other samples. The lowest temperature can withstand -196°C (with screw cap). All our polypropylene pipes are suitable for low temperature storage, except for liquid nitrogen.</p> <p>Each vial is permanently marked with a unique 2D barcode, the materials and quality of NEST 2D barcode cryogenic vials are the same as NEST common cryogenic vials.</p> <p>They can be used with Biobank system.</p>
Product Materials:	PP(tube) + HDPE(cap) , meets <i>USP, Class VI standards</i> .
product Specifications:	<p>Temperature range: stored at room temperature</p> <p>Shelf life: 5 Years after date of production (ensure package is in good)</p>
Sterilization:	<p>Yes.</p> <p>Sterilized by E-beam, Sterility Assurance Level: SAL=10⁻⁶. The product has been irradiated and dosimetrically released based on ANSI/AAMI/ISO 11137</p>
Pyrogens:	Non-Pyrogenic
RNase/DNase:	DNase/RNase free
BSE/TSE:	These products are deemed animal free.
Performance Testing:	<p>Each manufacturing lot is sampled and tested in accordance with standard operating procedures.</p> <p>Appearance inspection: qualified Sealing test: qualified</p> <p>Freeze testing: qualified Packaging inspection: qualified</p>
Features	<ol style="list-style-type: none"> 1. USP VI Polypropylene 2. Non-pyrogenic, DNase/RNase and human DNA free 3. Round Bottom, Self-standing 4. Solid, one-piece construction ensures the barcode not fall off during the storage under low temperature 5. Withstand temperature range: Approx.-196°C to 121°C 6. Autoclavable 7. Sterilized by E-beam, SAL=10-6 8. Clear graduations and white marking area 9. Recommend to store in gas phase of the nitrogen tank 10. There are two types of caps, External thread Cap and internal threaded screw cap with the silicone O-ring. <ul style="list-style-type: none"> • External thread Cap: Special screw cap designed without silicone ring to avoid the

contamination risk.

- Internal thread Cap: Special screw cap designed with silicone O-ring. The internal threaded screw cap and the silicone O-ring adopt a two-color injection molding process to ensure the sealing of the cap and the vial.

14. Each vial is permanently marked with a unique 2D barcode, ensuring the vials can be easily and accurately identified when being moved, shipped or even accidentally dropped.

15. They can be used with Biobank system.

16. Laser 2D barcode on the bottom of each vial allows scanning and decoding at once without removing from rack.

Warning

1. Do not use cryogenic vials for storage in the liquid phase of liquid nitrogen. Only store vials in the vapor phase above the liquefied gas.
2. Always use appropriate safety equipment when removing vials from cryogenic storage.

Product Range

2D Cryogenic Vial, Racked

Cat. No.	Product Description	/Pack	/Case
618152	0.5 mL Internal Thread	10*10 Racked	1600
606152	1.2 mL Internal Thread	10*10 Racked	1400
607152	2.0 mL Internal Thread	10*10 Racked	1200
618053	0.5 mL External Thread	9*9 Racked	1296
606053	1.2 mL External Thread	9*9 Racked	1134
607053	2.0 mL External Thread	9*9 Racked	972
624053	3.0 mL External Thread	9*9 Racked	648
608053	4.0 mL External Thread	9*9 Racked	648
609053	5.0 mL External Thread	9*9 Racked	486
618153	0.5 mL Internal Thread	9*9 Racked	1296
606153	1.2 mL Internal Thread	9*9 Racked	1134
607153	2.0 mL Internal Thread	9*9 Racked	972
624153	3.0 mL Internal Thread	9*9 Racked	648
608153	4.0 mL Internal Thread	9*9 Racked	648
609153	5.0 mL Internal Thread	9*9 Racked	486

2D Cryogenic Vial, Bulk

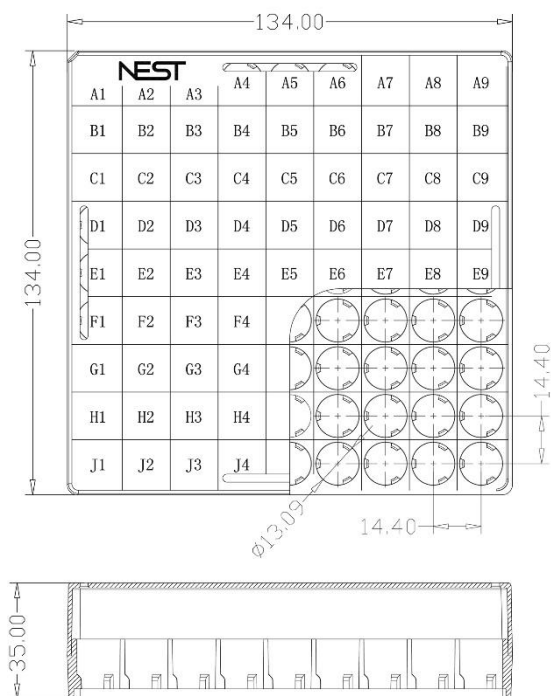
Cat. No.	Product Description	/Pack	/Case
618041	0.5 mL External Thread	50	2,000
606041	1.2 mL External Thread	50	2,000
607041	2.0 mL External Thread	50	2,000
624041	3.0 mL External Thread	50	1,000
608041	4.0 mL External Thread	50	1,000
609041	5.0 mL External Thread	50	1,000
618141	0.5 mL Internal Thread	50	2,000
606141	1.2 mL Internal Thread	50	2,000
607141	2.0 mL Internal Thread	50	2,000
624141	3.0 mL Internal Thread	50	1,000
608141	4.0 mL Internal Thread	50	1,000
609141	5.0 mL Internal Thread	50	1,000

Technical Drawing

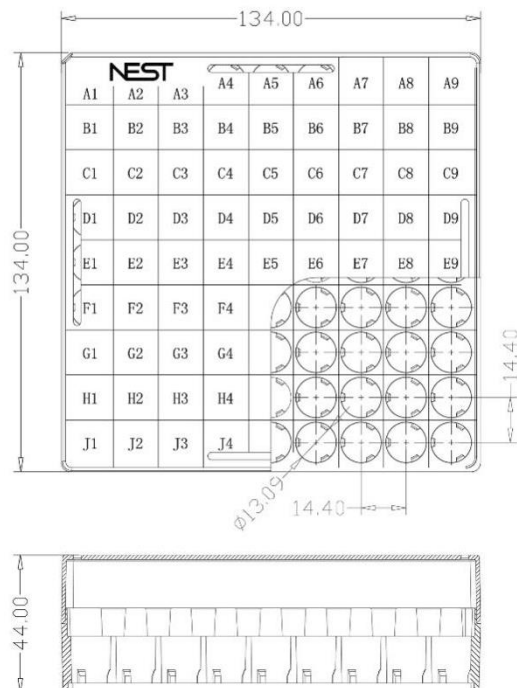
Head Office No. 530, Xida Road, Meicun Industrial Park, Xinwu District, Wuxi,
Jiangsu, China
Tel: +86+ 510-6800 6788 Email: info@nest-wuxi.com
Online: www.cell-nest.com

Oversea NEST USA (New Jersey/ Phoenix)
NEST scientific 株式会社 (Yokohama, Japan)
NEST Scientific Europe B.V (Netherlands)
Nest Scientific (MENA) FZE (Sharjah, United Arab
Emirates)

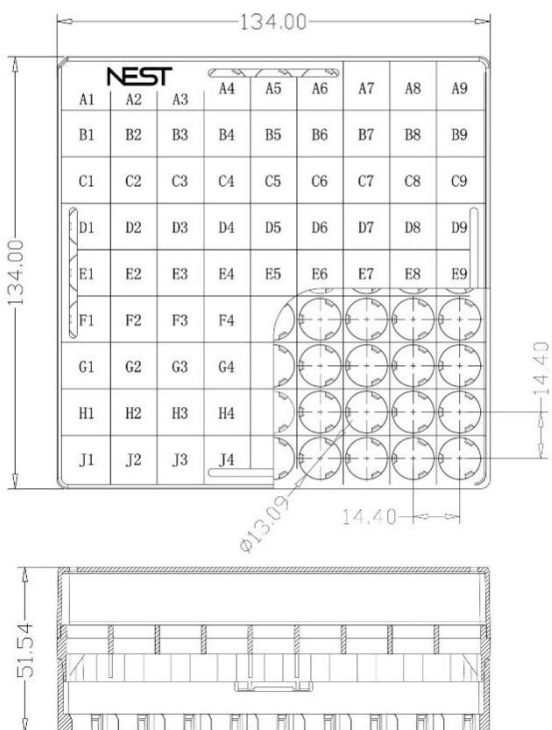
9*9 Cryo Boxes for 0.5 ml Vials



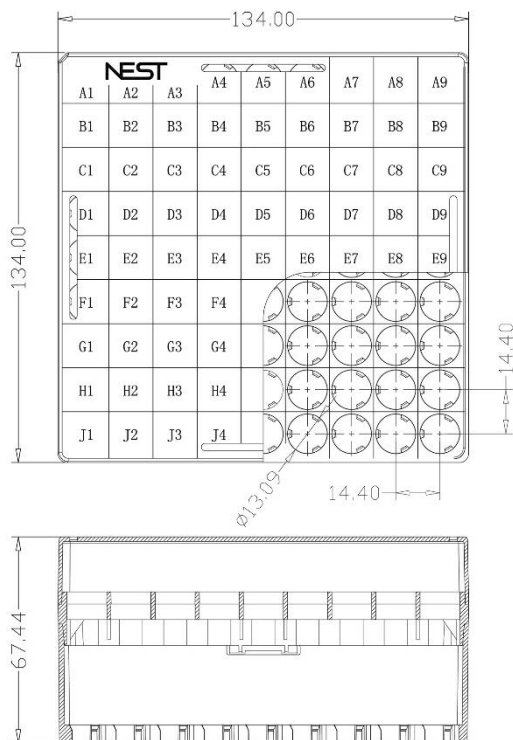
9*9 Cryo Boxes for 1.2 ml Vials



9*9 Cryo Boxes for 2.0 ml Vials



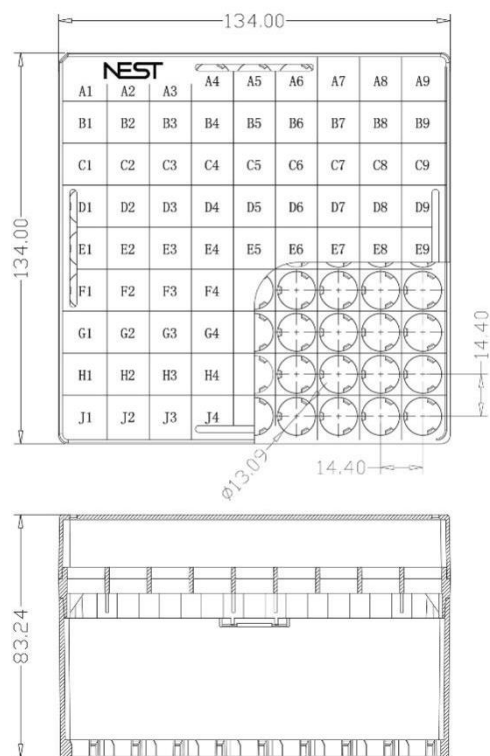
9*9 Cryo Boxes for 3.0 ml Vials



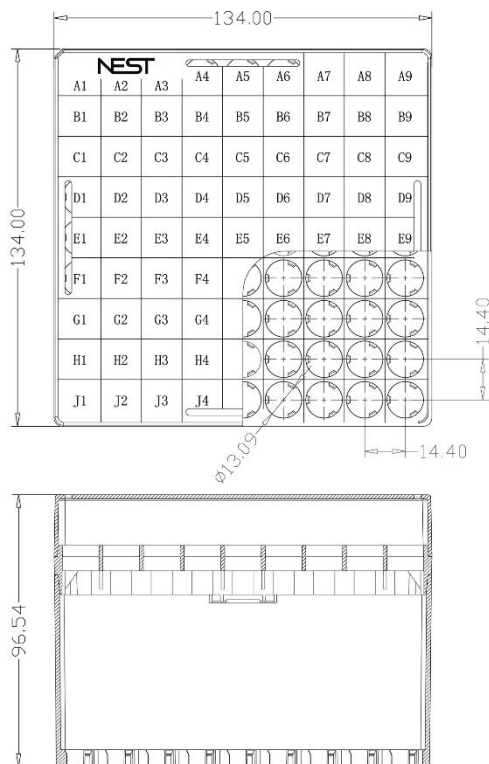
Head Office No. 530, Xida Road, Meicun Industrial Park, Xinwu District, Wuxi, Jiangsu, China
 Tel: +86+ 510-6800 6788 Email: info@nest-wuxi.com
 Online: www.cell-nest.com

Oversea NEST USA (New Jersey/ Phoenix)
 NEST scientific 株式会社 (Yokohama, Japan)
 NEST Scientific Europe B.V (Netherlands)
 Nest Scientific (MENA) FZE (Sharjah, United Arab Emirates)

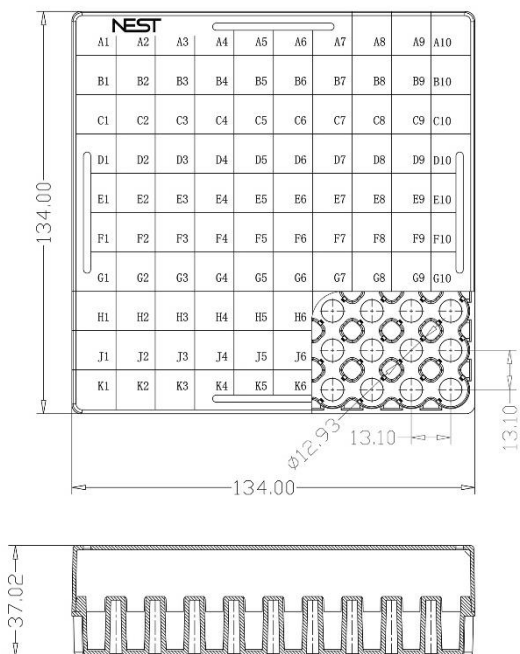
9*9 Cryo Boxes for 4.0 ml Vials



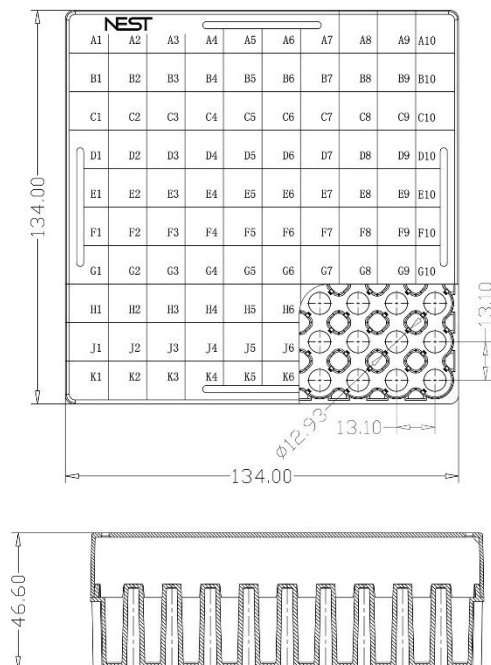
9*9 Cryo Boxes for 5.0 ml Vials



10*10 Cryo Boxes for 0.5 ml Vials
Internal Thread Cryogenic Vial Only



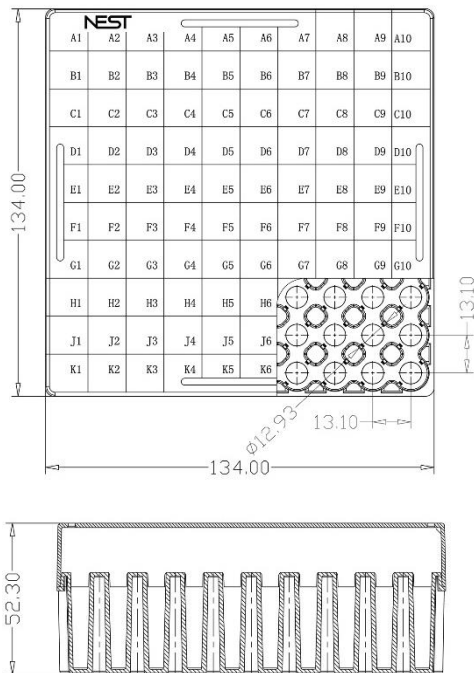
10*10 Cryo Boxes for 1.2 ml Vials
Internal Thread Cryogenic Vial Only



Head Office No. 530, Xida Road, Meicun Industrial Park, Xinwu District, Wuxi, Jiangsu, China
Tel: +86+ 510-6800 6788 Email: info@nest-wuxi.com
Online: www.cell-nest.com

Oversea NEST USA (New Jersey/ Phoenix)
NEST scientific 株式会社 (Yokohama, Japan)
NEST Scientific Europe B.V (Netherlands)
Nest Scientific (MENA) FZE (Sharjah, United Arab Emirates)

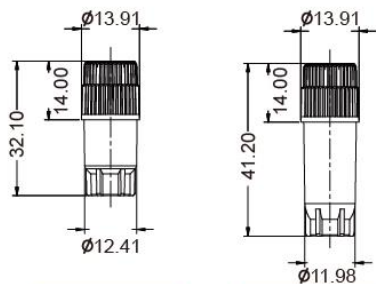
10*10 Cryo Boxes for 2.0 ml Vials
Internal Thread Cryogenic Vial Only



Head Office No. 530, Xida Road, Meicun Industrial Park, Xinwu District, Wuxi, Jiangsu, China
Tel: +86+ 510-6800 6788 Email: info@nest-wuxi.com
Online: www.cell-nest.com

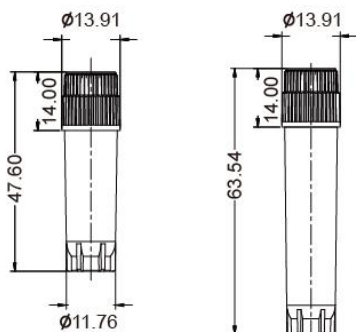
Oversea NEST USA (New Jersey/ Phoenix)
NEST scientific 株式会社 (Yokohama, Japan)
NEST Scientific Europe B.V (Netherlands)
Nest Scientific (MENA) FZE (Sharjah, United Arab Emirates)

External Thread



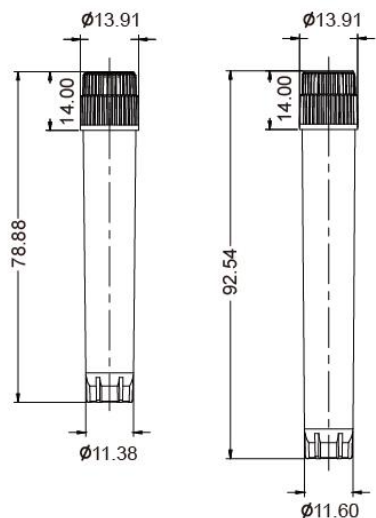
0.5ml

1.2ml



2ml

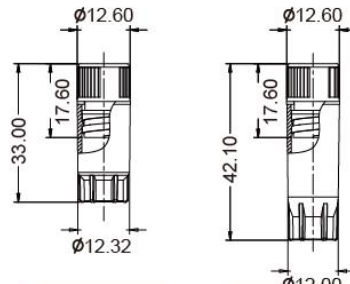
3ml



4ml

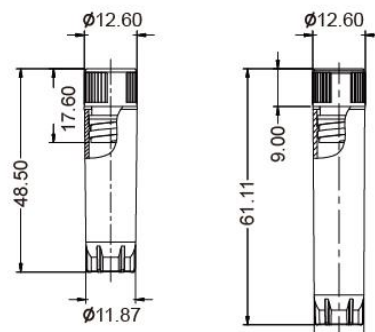
5ml

Internal Thread



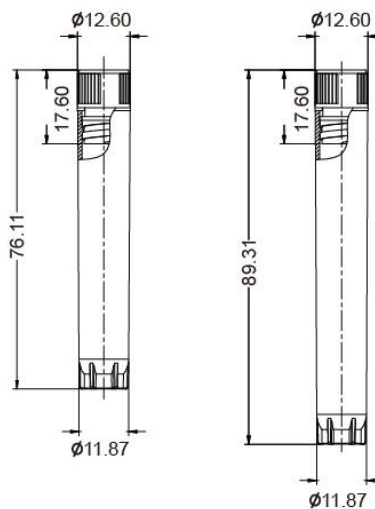
0.5ml

1.2ml



2ml

3ml



4ml

5ml